

Door Styles

Cabinet doors

What's your **CABINET** Style?

contemporary



craftsman



traditional



tudor



french



rustic



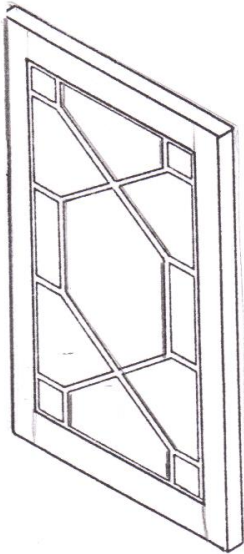
- Image obtained from <http://elizabethbixler.com/bathroom-kitchen-cabinet-door-styles/>

Glazed Doors

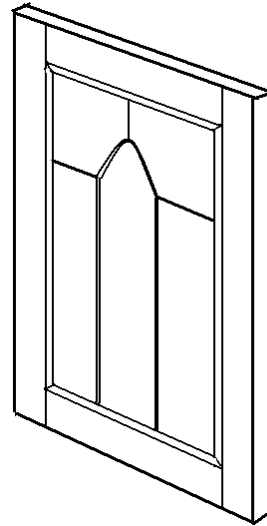


- Image obtained from <https://triangle.cabinetcures.com/article/kitchen-cabinet-door-glass-types/>

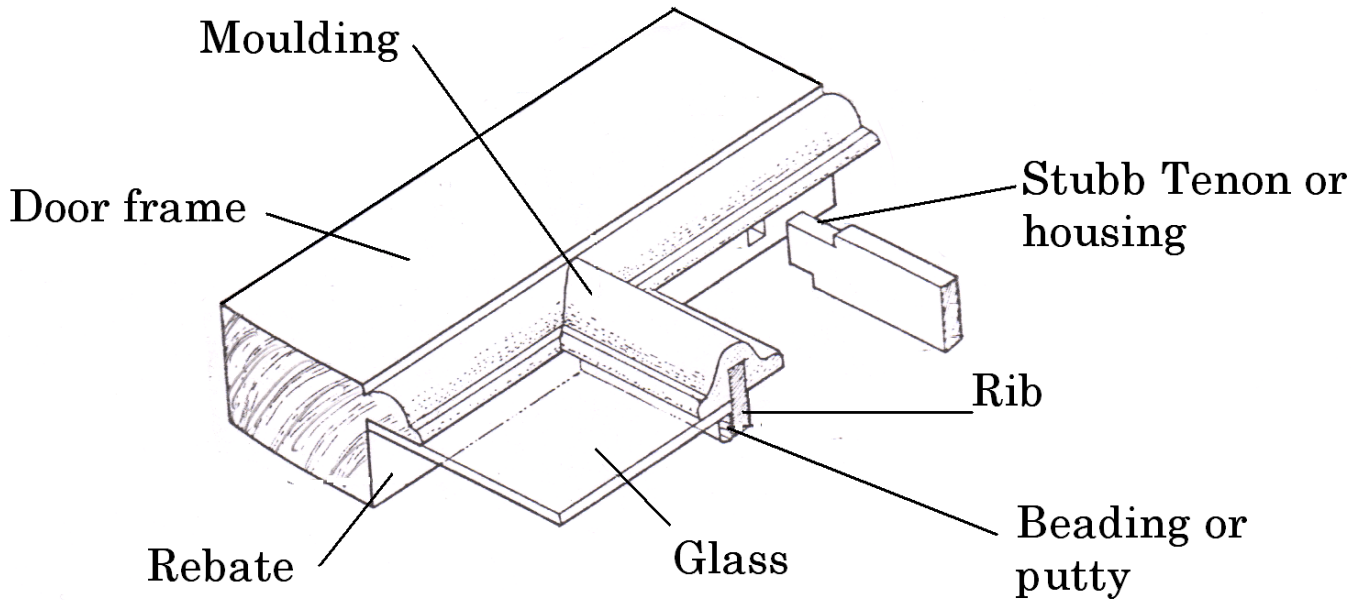
Glazed Bar Doors



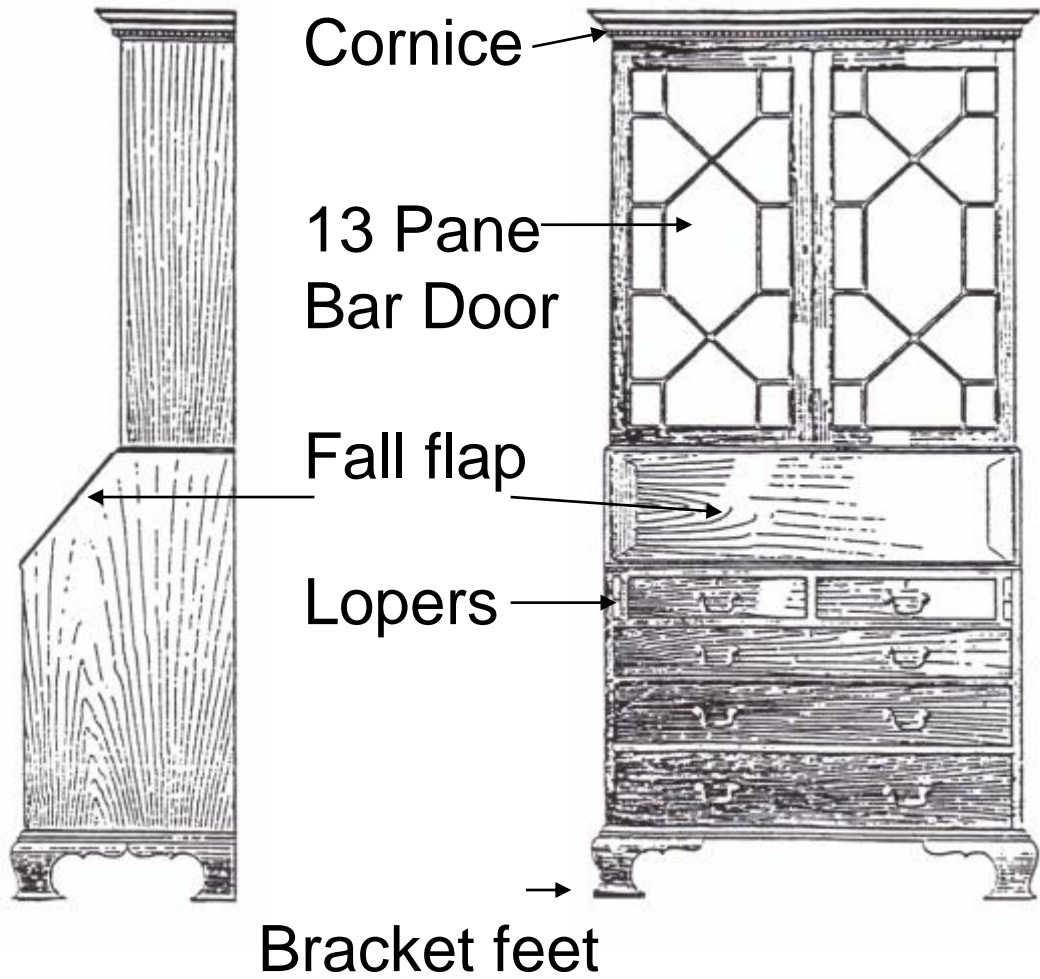
13 Pane Bar Door



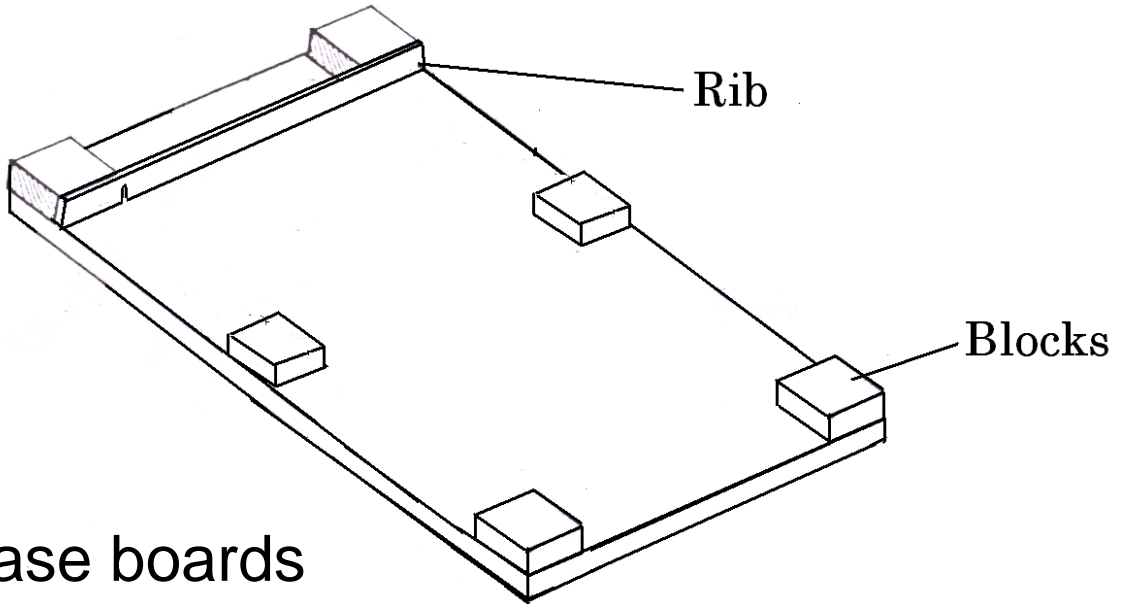
Tracery Bar Door



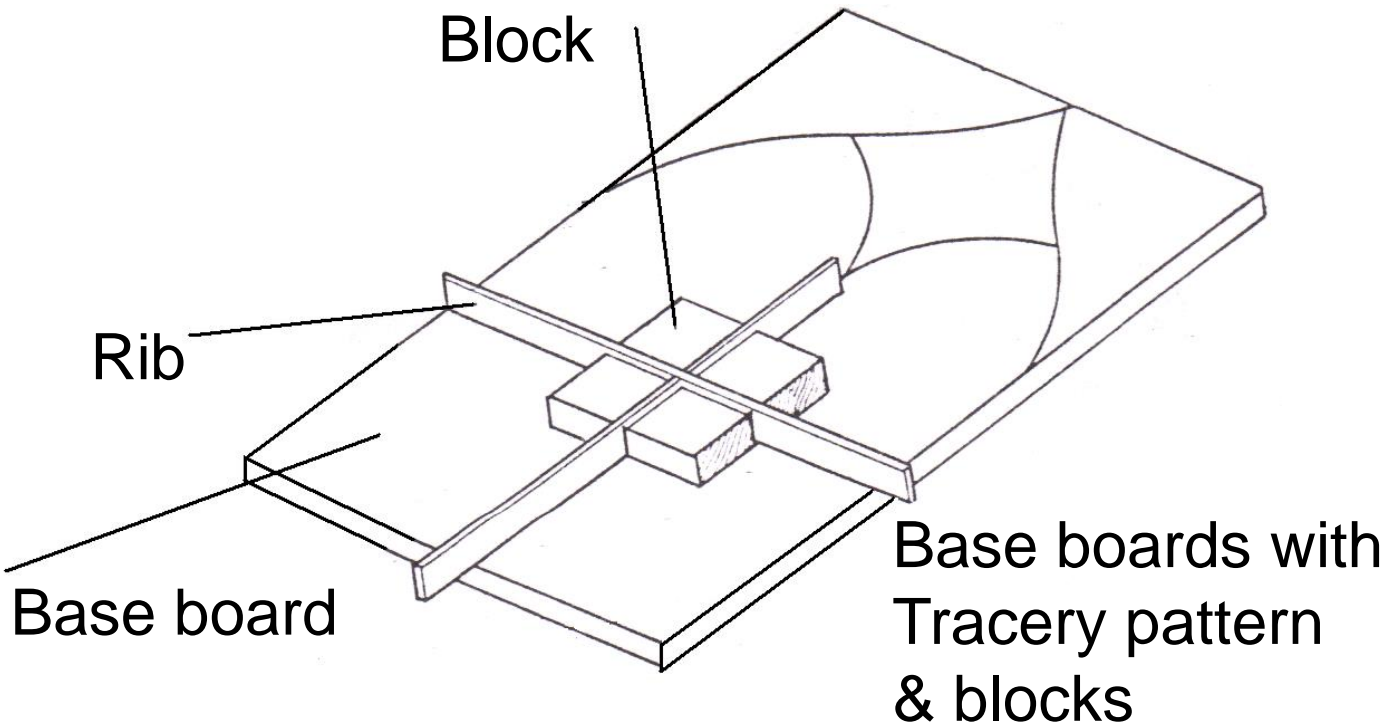
Chippendale



Glazed Bar Doors



Base boards
with blocks



Base boards with
Tracery pattern
& blocks

Mortice & Tenon Rebated Frame



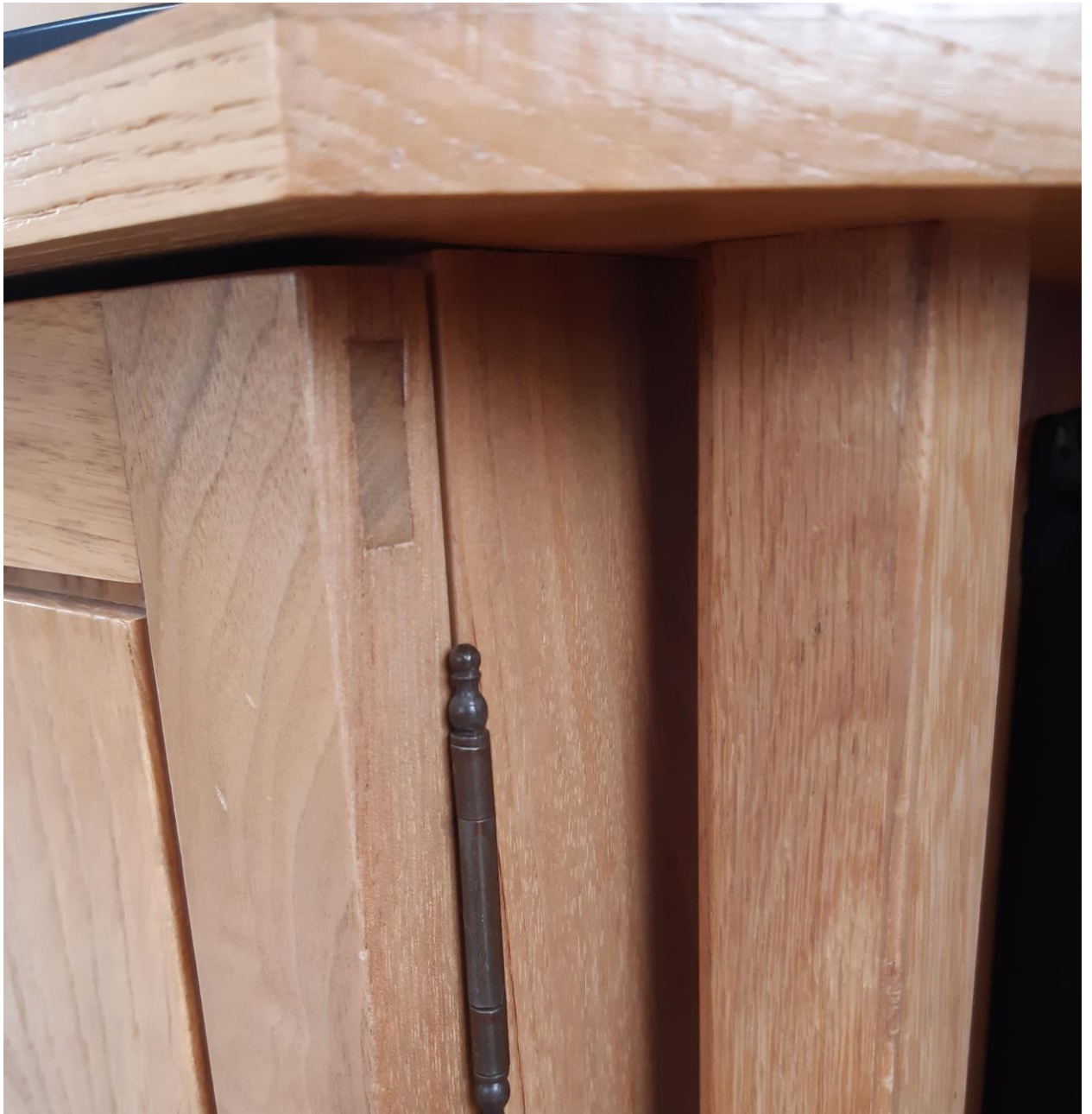
Mortice & Tenon Rebated Frame



Machined Profiled Edge Grooved Frame



Haunched Through Mortice & Grooved Frame



Machined Mortice & Tenon with Profiled Edge & Grooved Frame

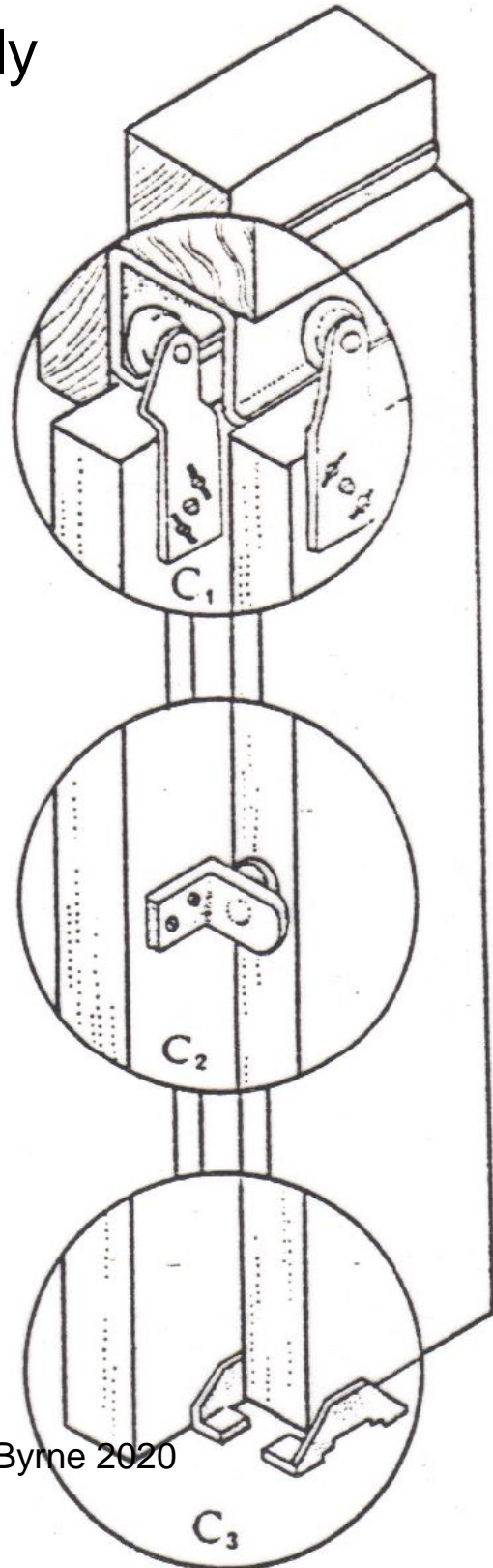


Sliding Doors

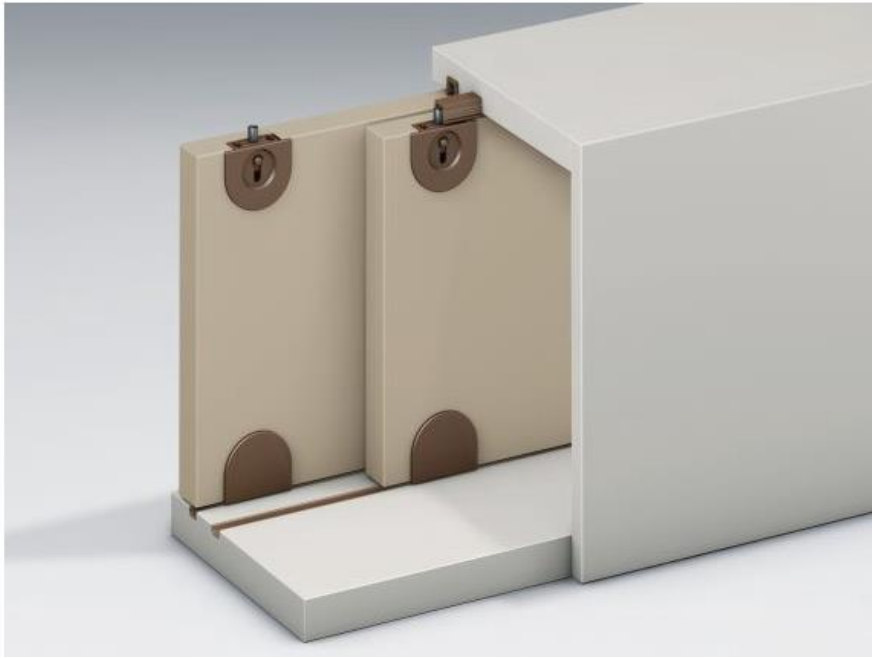
Large doors are usually top hung with two wheels per door running in channels
Roller bearing in tracks

Centre support
Buffer stops prevent heavy doors pinching fingers

Door bottoms slide in nylon guides



Sliding doors



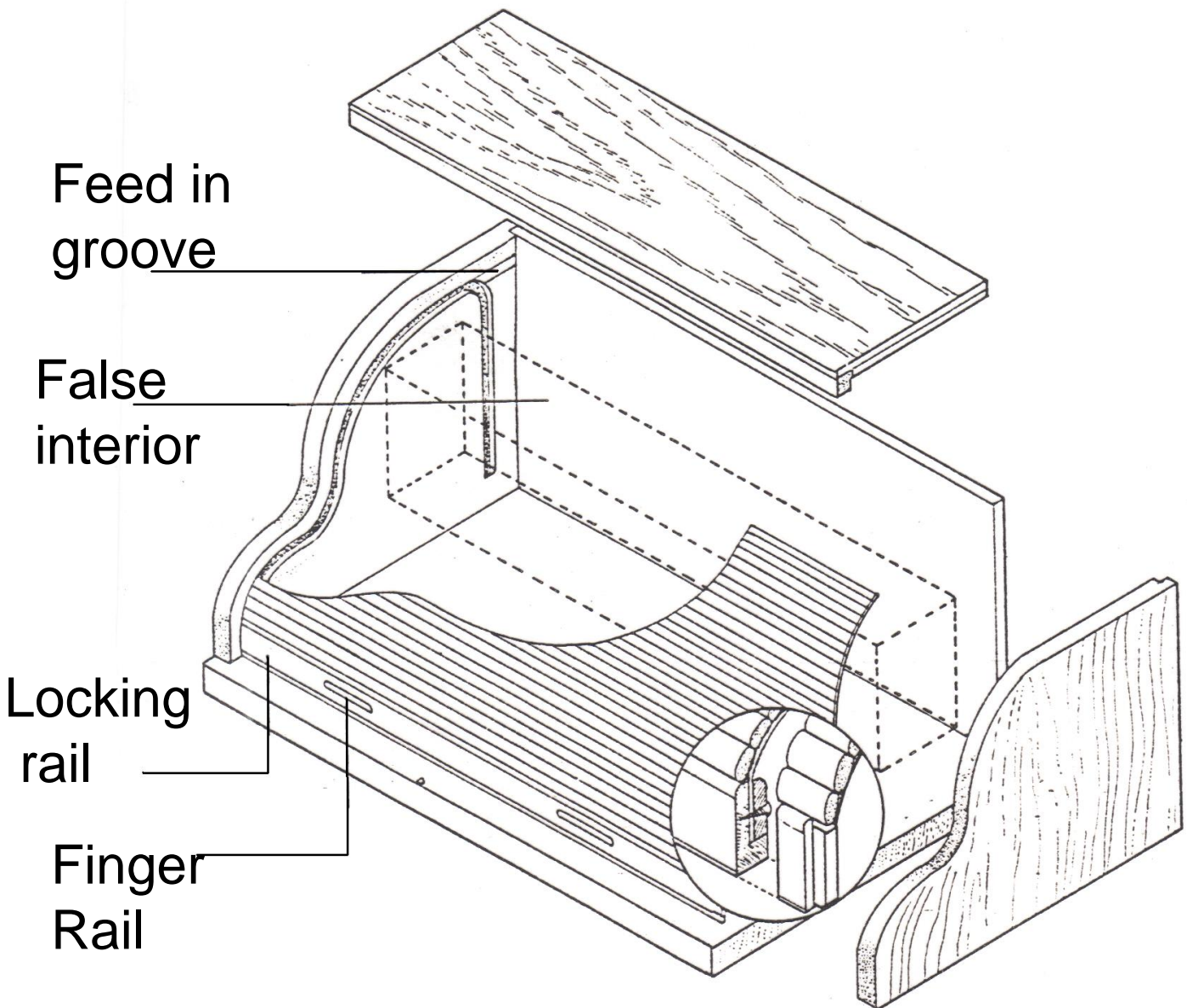
Series –mini runners



Traditional method grooves or insert laths

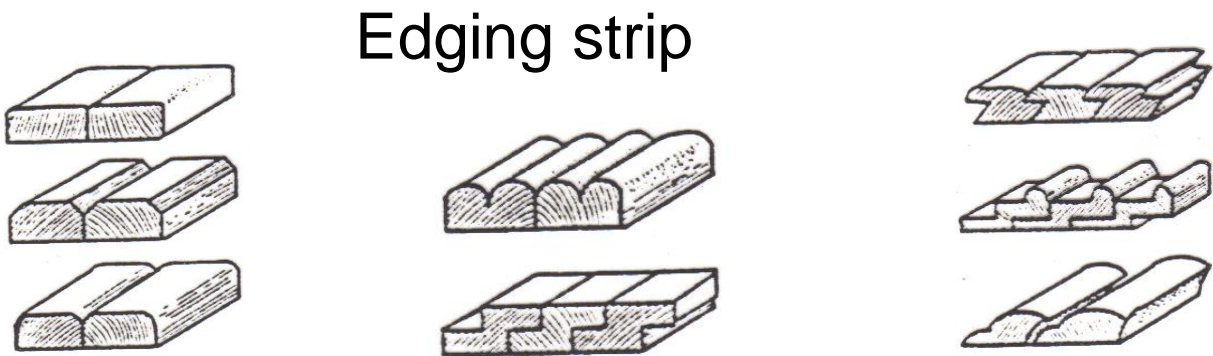
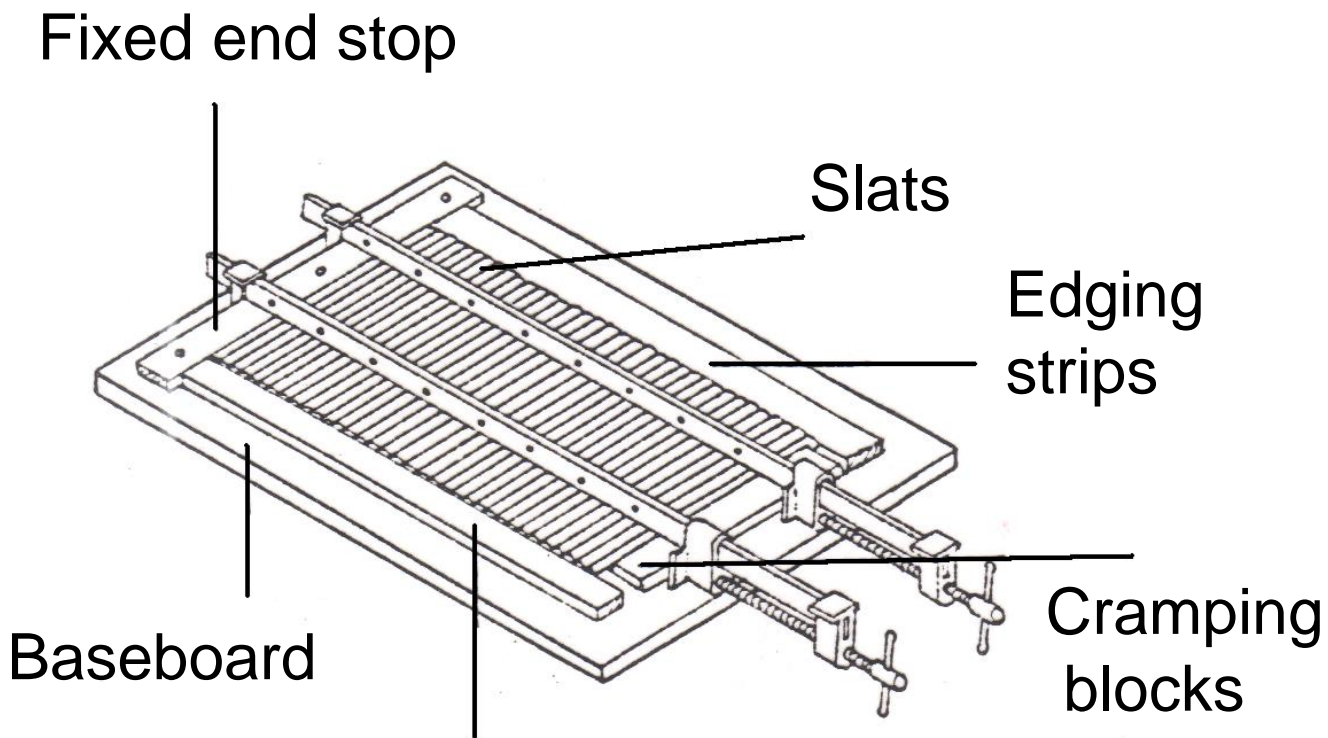
Tambour Doors

- Tambours are pushed & pulled to open & close.



Tambour Doors

- A Tambour door is a sliding door
- Wooden slats cramped onto a baseboard
- A canvas sheet is glued onto the slats.



Tambour doors



[How to make a Tambour door](#)



This 3-piece router bit set shapes tambours that interlock with a ball-and-socket joint. Unlike ordinary tambours, there is no need for cloth, glue or wires

[Amana Tambour Door Router Bit Set](#)